



# Installation and Operation Instructions Comfort Flame™ Vent Free Barkley Series Universal Firebox System



P900564-00

P/N 900564-00 Rev. N/C 09/2015



Report No. F09-130

## Models

BarkleySTXWS  
BarkleySTYWS

**INSTALLER:** Leave this manual with the appliance.  
**CONSUMER:** Retain this manual for future reference.

**⚠ WARNING:** Carefully review the instructions supplied with the decorative type unvented room heater for the minimum fireplace size requirement.

Do not install the appliance in this firebox, unless this firebox meets the minimum dimensions required for the installation.

This appliance may be installed in an aftermarket permanently located, manufactured (mobile) home, where not prohibited by local codes. This appliance is only for use with the type of gas indicated on the rating plate. This appliance is not convertible for use with other gases.

**⚠ WARNING:** Improper installation, adjustment, alteration, service or maintenance can cause injury or property damage. Refer to this manual for correct installation and operational procedures. For assistance or additional information consult a qualified installer, service agency or the gas supplier.

**⚠ WARNING:** For use only with a listed, gas-fired unvented decorative room heater not to exceed 40,000 Btu/H.

Do not build a wood fire.

**⚠ WARNING:**

### FIRE OR EXPLOSION HAZARD

Failure to follow safety warnings exactly could result in serious injury, death, or property damage.

- Do not store or use gasoline or other flammable vapors and liquids in the vicinity of this or any other appliance.
- **WHAT TO DO IF YOU SMELL GAS:**
  - Do not try to light any appliance.
  - Do not touch any electrical switch; do not use any phone in your building.
  - Leave the building immediately.
  - Immediately call your gas supplier from a neighbor's phone. Follow the gas supplier's instructions.
  - If you cannot reach your gas supplier, call the fire department.
- Installation and service must be performed by a qualified installer, service agency or the gas supplier.

**Thank you for your purchase. We appreciate your business!**

Please carefully read and follow all instructions in this manual. **Pay special attention to all warnings and safety information.**

Following these safety, care, and operation instructions will help ensure many years of dependable and enjoyable service from your fireplace.

**Register your product online today!**

To help us keep you up-to-date on product information and offers, please take a few moments to register your product online at [Comfortflame.US.com](http://Comfortflame.US.com)

**Please read and understand these instructions before installing or operating.**



We recommend that our gas hearth products be installed and serviced by professionals who are certified in the U.S. by the National Fireplace Institute® (NFI) as NFI Gas Specialists.

[www.nficertified.org](http://www.nficertified.org)

**TABLE OF CONTENTS**

Safety ..... 2  
 Local Codes ..... 3  
 Requirements for the Commonwealth of Massachusetts..... 3  
 Unpacking ..... 4  
 Product Features ..... 4  
 Product Specifications ..... 5  
 Locating Firebox ..... 5  
 Air for Combustion and Ventilation ..... 6  
 Installation ..... 8  
 Service Hints..... 15  
 Technical Service ..... 15  
 Replacement Parts ..... 15  
 Accessories..... 15  
 Parts ..... 16  
 Warranty ..... 19

**SAFETY**

**This appliance may be installed in an aftermarket, \* permanently located, manufactured (mobile) home, where not prohibited by local codes.**

\* Aftermarket: Completion of sale, not for purpose of resale, from the manufacturer

**This firebox has been tested under Z21.91b-2007 for use with approved ANSI Z21.11.2 decorative type unvented room heater.**

**⚠ WARNING: Any change to this firebox or its controls can be dangerous.**

**⚠ WARNING: Do not use a blower insert, heat exchanger insert or other accessory not approved for use with this firebox.**

**IMPORTANT: Read this owner’s manual carefully and completely before trying to assemble, operate or service this fireplace. Improper use of this fireplace can cause serious injury or death from burns, fire, explosion, electrical shock and carbon monoxide poisoning.**

**⚠ DANGER: Carbon monoxide poisoning may lead to death!**

**⚠ WARNING: Do not allow fans to blow directly into the firebox. Avoid any drafts that alter burner flame patterns. Ceiling fans can create drafts that alter burner flame patterns. Altered burner patterns can cause sooting.**

**Due to high temperatures, the appliance should be located out of traffic and away from furniture and draperies.**

**Do not place clothing or other flammable material on or near the appliance. Never place any objects in the firebox or on logs.**

**Firebox front and screen becomes very hot when running firebox. Keep children and adults away from hot surfaces to avoid burns or clothing ignition. Firebox will remain hot for a time after shutdown. Allow surfaces to cool before touching.**

**Carefully supervise young children when they are in the room with firebox.**

**Keep the fireplace area clear and free from combustible materials, gasoline, and other flammable vapors and liquids.**

## **SAFETY *Continued***

**You must operate this fireplace with the provided fireplace screen, hood and brick liner in place. Make sure these parts are in place and screens are closed before running firebox. The supplied hoods may not be replaced with hoods which may be provided with a log heater.**

**The firebox canopy (hood) must not be modified or replaced with a canopy (hood) that may be provided with the unvented decorative room heater.**

1. This firebox shall not be installed in a bedroom or bathroom.
2. Never install the firebox
  - in a recreational vehicle
  - where curtains, furniture, clothing or other flammable objects are less than 42" from the front, top or sides of the firebox
  - in high traffic areas
  - in windy or drafty areas
3. Do not use this firebox as a wood-burning fireplace. Use only decorative unvented room appliances (log sets).
4. Do not add extra logs or ornaments such as pine cones, vermiculite or rock wool. Using these added items can cause sooting.
5. Use only the provided hoods. See Parts on page 16.
6. Vent-free gas log appliances installed in this firebox require fresh air ventilation to run properly. See Air for Combustion and Ventilation, page 6.
7. Do not run firebox
  - where flammable liquids or vapors are used or stored
  - under dusty conditions
8. Do not use this firebox to cook food or burn paper or other objects.
9. Never place any objects in firebox or on logs.
10. Turn firebox off and let cool before servicing. Only a qualified service person should service and repair firebox.
11. Operating vent-free logs in a firebox above elevations of 4,500 feet could cause pilot outage.
12. Do not use the firebox if it has been under water due to the shock hazard that could result with the blower accessory (if installed) in place.
13. Provide adequate clearances around air openings.

## **LOCAL CODES**

Install and use firebox with care. Follow all local codes. In the absence of local codes, use the latest edition of The National Fuel Gas Code ANS Z223.1/NFPA 54\*. Firebox must be electrically grounded in accordance with the National Electrical Code, ANS/NFPA70 (latest edition).

\*Available from:

American National Standards Institute, Inc.  
25 West 43rd Street, 4th floor  
New York, NY 10036  
National Fire Protection Association, Inc.  
1 Batterymarch Park  
Quincy, MA 02169-7471

## **COMMONWEALTH OF MASSACHUSETTS REQUIREMENTS**

These appliances are approved for installation in the US state of Massachusetts if the following additional requirements are met:

- Un-vented Room Heaters shall be installed in accordance with 527 CMR 30.
- Installation and repair must be done by a plumber or gas fitter licensed in the Commonwealth of Massachusetts.
- The flexible gas line connector used shall not exceed 36 inches (92 centimeters) in length.
- The individual manual shut-off must be a T-handle type valve.
- Unvented appliances may NOT be installed in bedrooms or bathrooms.
- A working smoke detector must be installed in the area where vent-free appliances are installed.

Seller of unvented propane or natural gas-fired supplemental room heaters shall provide to each purchaser a copy of 527 CMR 30 upon sale of the unit.

**State of Massachusetts:** The installation must be made by a licensed plumber or gas fitter in the Commonwealth of Massachusetts.

Sellers of unvented propane or natural gas-fired supplemental room appliances shall provide to each purchaser a copy of 527 CMR 30 upon sale of the unit.

Vent-free gas products are prohibited for bedroom and bathroom installation in the Commonwealth of Massachusetts.

## UNPACKING

1. Remove all protective packaging from inside firebox. Carefully lift the firebox off the bottom corrugated tray.
2. Carton should contain 2 deflective hoods and hardware packet in addition to firebox assembly. If items are missing, inform dealer where you bought firebox.
3. Check firebox for any shipping damage. If firebox is damaged contact IHP at [Comfortflame.US.com](http://Comfortflame.US.com) for replacement parts before returning to dealer.

**NOTICE: The firebox identification label (including model number, serial number, clearances, etc.) is located underneath the heat shield. See Figure 19, page 14.**

## PRODUCT FEATURES

### OPERATION

This firebox is designed for use with approved ANS Z21.11.2 decorative type unvented room appliances. (Physical size limitations apply. Refer to minimum firebox requirements supplied with log appliance.) It requires no outside venting or chimney making installation easy and inexpensive. When used without the blower, the firebox requires no electricity making it ideal for emergency backup heat.

### BLOWER ACCESSORY

This firebox will accept the GA3750A accessory. The variable blower allows you to select the fan speed you desire. The blower circulates heated air from the firebox into the room. Use of blower is optional.

### BRICK LINER

This firebox features a concrete brick liner. As with all concrete liners, this liner may develop slight cracks when exposed to heat. These cracks will not affect the performance of the firebox or vent-free gas logs.

### HEAT DEFLECTIVE HOOD

Two (2) black painted steel hoods come standard with the unit, which must be installed for a safe operation.

## PRODUCT SPECIFICATIONS

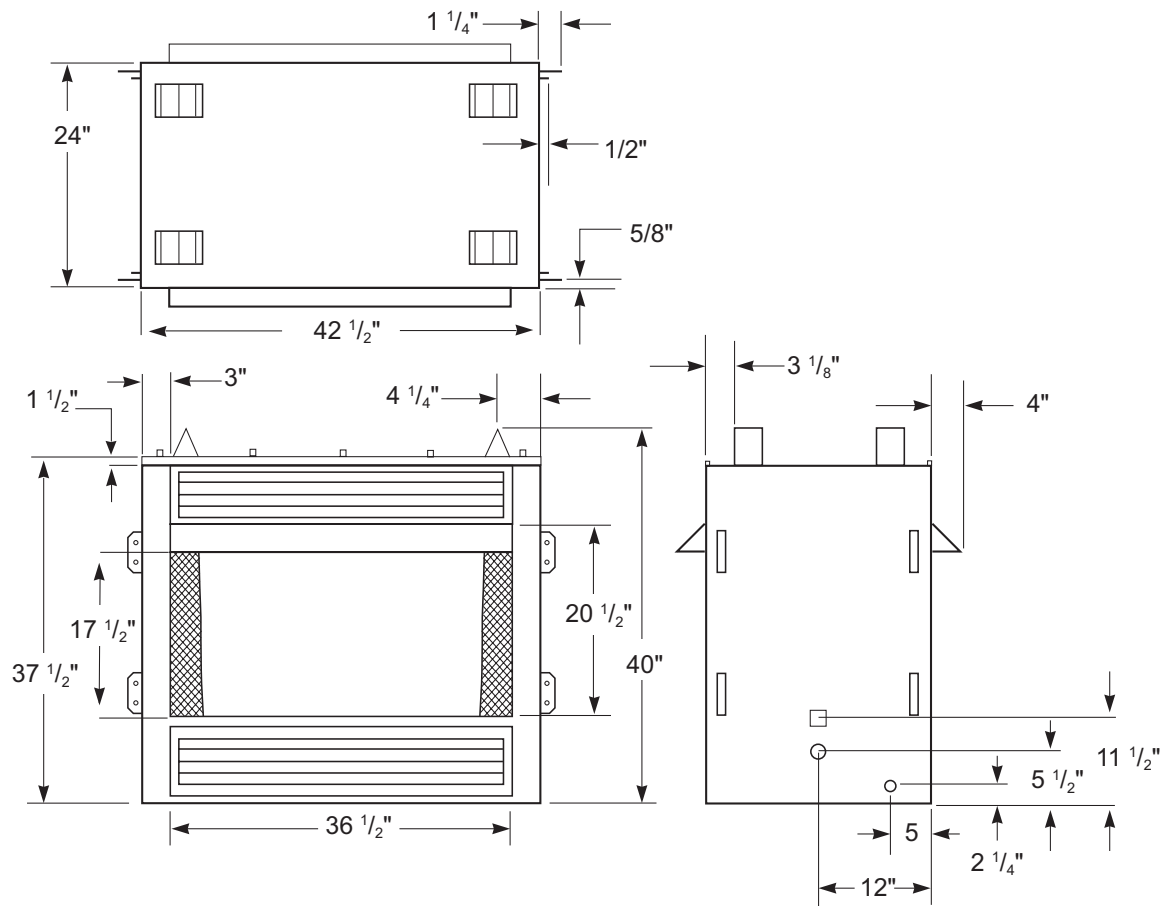


Figure 1 - Dual-Sided Firebox

## LOCATING FIREBOX

### PLANNING

Plan where you will install the firebox. This will save time and money later when you install the firebox. Before installation, consider the following:

1. Where the firebox will be located. Allow for wall and ceiling clearances (see [Installation Clearances](#), page 8).
2. Everything needed to complete installation.
3. This model CANNOT be installed in a bedroom or bathroom.
4. Proper air for combustion and ventilation.
5. Consider a location where heat output would not be affected by drafts, air condition ducts, windows or doors.
6. A location that minimizes modifications on existing framing will make installation easier.

**Projected installations** can extend any distance into the room. A projection may be ideal as a partition between two otherwise common areas when added to an existing, finished wall (see Figure 2).

**Internal wall installation** provides a discreet viewing option between two adjacent rooms or within an added wall to subdivide an oversize room.

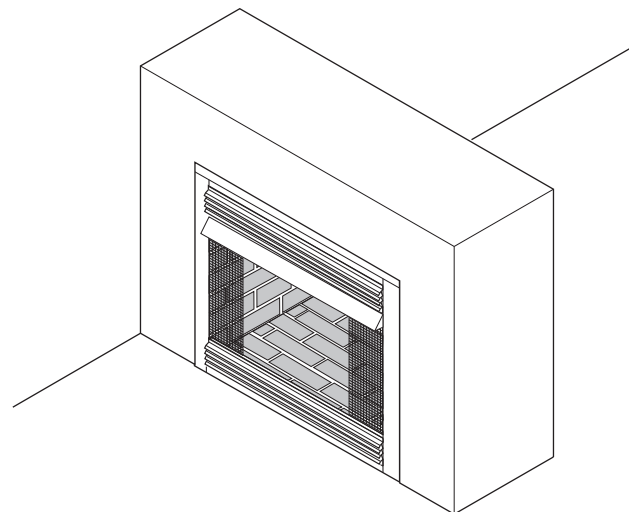


Figure 2 - Projected Installation

## AIR FOR COMBUSTION AND VENTILATION

**⚠ WARNING: This appliance shall not be installed in a room or space unless the required volume of indoor combustion air is provided by the method described in the National Fuel Gas Code, ANSI Z223.1/NFPA 54, the International Fuel Gas Code, or applicable local codes. Read the following instructions to insure proper fresh air for this and other fuel-burning appliances in your home.**

Today's homes are built more energy efficient than ever. New materials, increased insulation and new construction methods help reduce heat loss in homes. Home owners weather strip and caulk around windows and doors to keep the cold air out and the warm air in. During heating months, home owners want their homes as airtight as possible.

While it is good to make your home energy efficient, your home needs to breathe. Fresh air must enter your home. All fuel-burning appliances need fresh air for proper combustion and ventilation.

Exhaust fans, fireboxes, clothes dryers and fuel burning appliances draw air from the house to operate. You must provide adequate fresh air for these appliances. This will insure proper venting of vented fuel-burning appliances.

### PROVIDING ADEQUATE VENTILATION

The following are excerpts from National Fuel Gas Code ANS Z223.1/NFPA 54, Air for Combustion and Ventilation.

All spaces in homes fall into one of the three following ventilation classifications:

1. Unusually Tight Construction
2. Unconfined Space
3. Confined Space

The information on pages 6 through 8 will help you classify your space and provide adequate ventilation.

#### Unusually Tight Construction

The air that leaks around doors and windows may provide enough fresh air for combustion and ventilation. However, in buildings of unusually tight construction, you must provide additional fresh air.

Unusually tight construction is defined as construction where:

- a. walls and ceilings exposed to the outside atmosphere have a continuous water vapor retarder with a rating of one perm ( $6 \times 10^{-11}$  kg per pa-sec- $m^2$ ) or less with openings gasketed or sealed and
- b. weather stripping has been added on openable windows and doors and
- c. caulking or sealants are applied to areas such as joints around window and door frames, between sole plates and floors, between wall-ceiling joints, between wall panels, at penetrations for plumbing, electrical and gas lines and at other openings.

If your home meets all of the three criteria above, you must provide additional fresh air. See [Ventilation Air From Outdoors](#), page 7.

If your home does not meet all of the three criteria above, proceed to [Determining Fresh-Air Flow for Firebox Location](#).

#### Confined and Unconfined Space

The National Fuel Gas Code ANS Z223.1/NFPA 54 defines a confined space as a space whose volume is less than 50 cubic feet per 1,000

Btu/hr (4.8 m<sup>3</sup> per kw) of the aggregate input rating of all appliances installed in that space and an unconfined space as a space whose volume is not less than 50 cubic feet per 1,000 Btu/hr (4.8 m<sup>3</sup> per kw) of the aggregate input rating of all appliances installed in that space. Rooms communicating directly with the space in which the appliances are installed\*, through openings not furnished with doors, are considered a part of the unconfined space.

This appliance shall not be installed in a confined space or unusually tight construction unless provisions are provided for adequate combustion and ventilation air.

\* Adjoining rooms are communicating only if there are doorless passageways or ventilation grills between them.

### DETERMINING FRESH-AIR FLOW FOR FIREBOX LOCATION

Determining if You Have a Confined or Unconfined Space

Use this work sheet to determine if you have a confined or unconfined space.

**Space:** Includes the room in which you will install appliance plus any adjoining rooms with doorless passageways or ventilation grills between the rooms.

1. Determine the volume of the space (length x width x height).

Length x Width x Height = \_\_\_\_\_ cu. ft. (volume of space)

**Example:** Space size 22 ft. (length) x 18 ft. (width) x 8 ft. (ceiling height) = 3168 cu. ft. (volume of space)

If additional ventilation to adjoining room is supplied with grills or openings, add the volume of these rooms to the total volume of the space.

2. Multiply the space volume by 20 to determine the maximum Btu/Hr the space can support.

\_\_\_\_\_ (volume of space) x 20 = (Maximum Btu/Hr the space can support)

**Example:** 3168 cu. ft. (volume of space) x 20 = 63,360 (maximum Btu/Hr the space can support)

3. Add the Btu/Hr of all fuel burning appliances in the space.

Gas water appliance\* \_\_\_\_\_ Btu/Hr

Gas furnace \_\_\_\_\_ Btu/Hr

Vented gas appliance \_\_\_\_\_ Btu/Hr

Gas fireplace logs \_\_\_\_\_ Btu/Hr

Other gas appliances\* \_\_\_\_\_ + Btu/Hr

Total = \_\_\_\_\_ Btu/Hr

\* Do not include direct-vent gas appliances. Direct-vent draws combustion air from the outdoors and vents to the outdoors.

#### Example:

Gas water appliance 40,000 Btu/Hr

Gas firebox logs + 39,000 Btu/Hr

Total = 79,000 Btu/Hr

4. Compare the maximum Btu/Hr the space can support with the actual amount of Btu/Hr used.

\_\_\_\_\_ Btu/Hr (maximum the space can support)

\_\_\_\_\_ Btu/Hr (actual amount of Btu/Hr used)

**Example:** 63,360 Btu/Hr (maximum the space can support)

79,000 Btu/Hr (actual amount of Btu/Hr used)

The space in the above example is a confined space because the actual Btu/Hr used is more than the maximum Btu/Hr the space can support.

## AIR FOR COMBUSTION AND VENTILATION *Continued*

You must provide additional fresh air. Your options are as follows:

- A. Rework work sheet, adding the space of an adjoining room. If the extra space provides an unconfined space, remove door to adjoining room or add ventilation grills between rooms. See Ventilation Air from Inside Building.
- B. Vent room directly to the outdoors. See Ventilation Air from Outdoors.
- C. Install a lower Btu/Hr gas log appliance, if lower Btu/Hr size makes room unconfined.

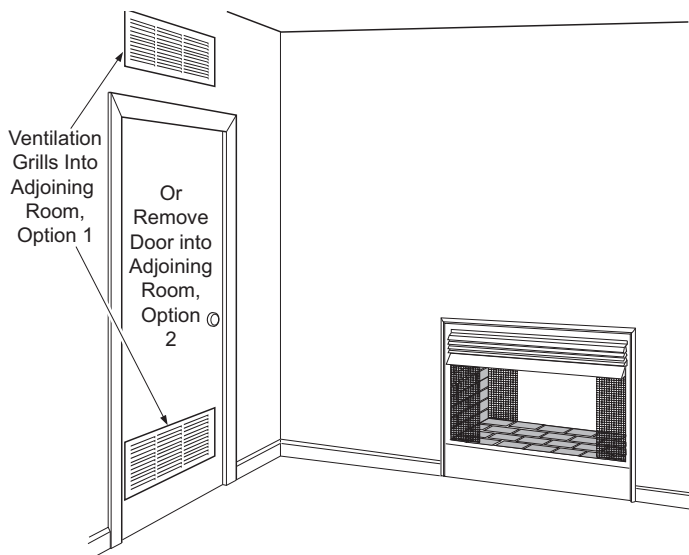
If the actual Btu/Hr used is less than the maximum Btu/Hr the space can support, the space is an unconfined space. You will need no additional fresh air ventilation.

**⚠ WARNING:** If the area in which the appliance may be operated does not meet the required volume for indoor combustion air, combustion and ventilation air shall be provided by one of the methods described in the National Fuel Gas Code, ANSI Z223.1/NFPA 54, the International Fuel Gas Code, or applicable local codes.

### VENTILATION AIR

#### Ventilation Air From Inside Building

This fresh air would come from an adjoining unconfined space. When ventilating to an adjoining unconfined space, you must provide two permanent openings: one within 12" of the ceiling and one within 12" of the floor on the wall connecting the two spaces (see option 1, Figure 3). You can also remove door into adjoining room (see option 2, Figure 3). Follow the National Fuel Gas Code ANS Z223.1/NFPA 54 Air for Combustion and Ventilation for required size of ventilation grills or ducts.

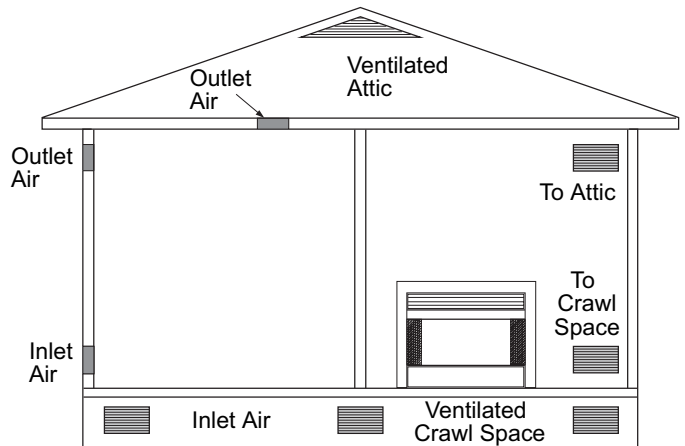


**Figure 3 - Ventilation Air from Inside Building**

#### Ventilation Air From Outdoors

Provide extra fresh air by using ventilation grills or ducts. You must provide two permanent openings: one within 12" of the ceiling and one within 12" of the floor. Connect these items directly to the outdoors or spaces open to the outdoors. These spaces include attics and crawl spaces. Follow the National Fuel Gas Code ANS Z223.1/NFPA 54 Air for Combustion and Ventilation for required size of ventilation grills or ducts.

**IMPORTANT:** Do not provide openings for inlet or outlet air into attic if attic has a thermostat-controlled power vent. Heated air entering the attic will activate the power vent.



**Figure 4 - Ventilation Air from Outdoors**



## INSTALLATION

**NOTICE:** This firebox in combination with unvented log sets are intended for use as supplemental heat. Use along with your primary heating system. Do not install them as your primary heat source. If you have a central heating system, you may run system's circulating blower while using appliance. This will help circulate the heat throughout the house. In the event of a power outage, you can use unvented logs as your primary heat source.

**⚠ WARNING:** A qualified service person must install firebox. Follow all local codes.

**⚠ WARNING:** Never install the firebox

- in a bedroom or bathroom
- in a recreational vehicle
- where curtains, furniture, clothing or other flammable objects are less than 42" from the front, top or sides of the firebox
- in high traffic areas
- in windy or drafty areas

**⚠ CAUTION:** Log appliances installed in this firebox create warm air currents. These currents move heat to wall surfaces next to firebox. Installing firebox next to vinyl or cloth wall coverings or operating firebox where impurities (such as, but not limited to, tobacco smoke, aromatic candles, cleaning fluids, oil or kerosene lamps, etc.) in the air exist, may discolor walls or cause odors.

**IMPORTANT:** Vent-free gas log appliances add moisture to the air. Although this is beneficial, installing firebox in rooms without enough ventilation air may cause mildew to form from too much moisture. See *Air for Combustion and Ventilation*, page 6.

**IMPORTANT:** Make sure the firebox is level. If firebox is not level, log set will not work properly.

Note: Your firebox is designed to be used in zero clearance installations. Wall or framing material can be placed against any exterior surface on the rear, sides or top of your firebox, except where standoff spacers are integrally attached. If standoff spacers are attached to your firebox, these spacers can be placed directly against wall or framing materials.

Use dimensions shown for rough openings to create the easiest installation (see *Built-In Firebox Installation*, page 9).

### INSTALLATION CLEARANCES

**⚠ WARNING:** Maintain the minimum clearances. If you can, provide greater clearances from floor, ceiling and adjoining wall.

Carefully follow the instructions below. This will ensure safe installation.

#### Minimum Wall and Ceiling Clearances

- A. Clearances from side of firebox opening to any combustibile wall should not be less than 8".
- B. Clearances from top of firebox opening to the ceiling should not be less than 42".
- C. When firebox is installed on carpeting or other combustibile material, other than wood flooring, the firebox should be installed on a metal or wood panel extending the full width and depth of the enclosure.
- D. Clearances from bottom of firebox to the floor is 0".

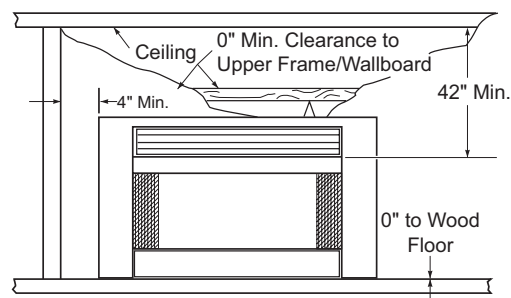
**⚠ CAUTION:** Do not install the firebox directly on carpet or vinyl.

**⚠ CAUTION:** Use only the clearances specified in this manual or on the firebox rating plate.

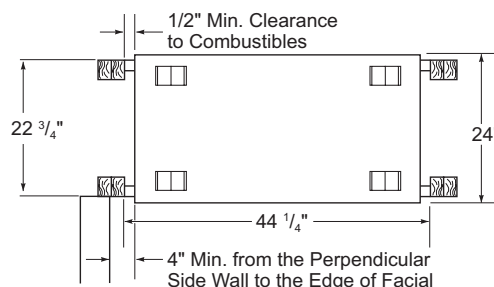
Minimum clearances to combustibles are:

- Sides of outer casing 0" min.
- Drywall to sides and top of front face 0" min.
- Ceiling to opening 42" min.
- Floor (see *Minimum Wall and Ceiling Clearances*, note C) 0" min.
- Perpendicular walls Right and Left 4' min.
- Distance to Facing Walls 36" min.

See Figures 5 and 6.



**Figure 5 - Minimum Clearance Front View**



**Figure 6 - Minimum Clearance - Top View**



## INSTALLATION *Continued*

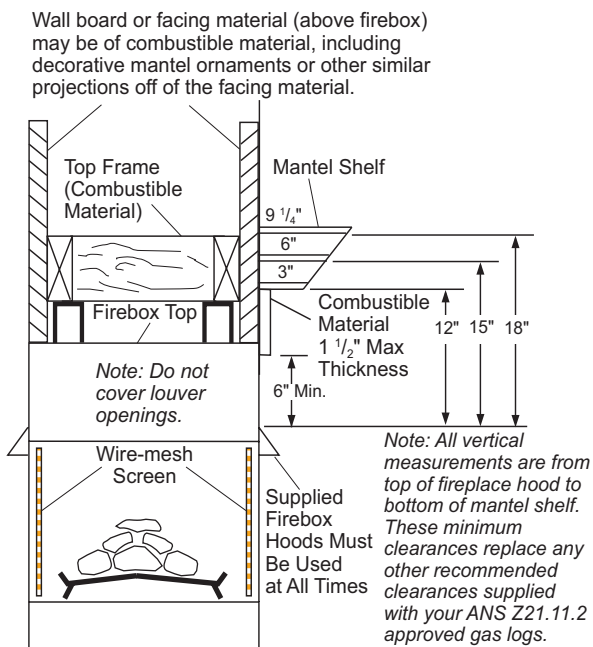
### Mantel Clearances for Built-In Installation

If placing custom mantel above built-in firebox, you must meet the minimum allowable clearance between mantel shelf and top of firebox opening shown in Figure 7. These are the minimum allowable mantel clearances for a safe installation. Use larger clearances wherever possible to minimize the heating of objects and materials placed on the mantel.

**CAUTION:** Do not allow the vent-free gas log appliance to touch or extend beyond the firebox screen.

If your installation does not meet the above minimum clearances in Figure 7, you must:

- raise the mantel to an acceptable height,
- OR
- remove the mantel.



**Figure 7 - Minimum Mantel Clearances for Built-In Installation**

### BUILT-IN FIREBOX INSTALLATION

Built-in installation of this firebox involves installing firebox into a framed-in enclosure. This makes the front of firebox flush with wall. Follow the instructions below to install the firebox in this manner.

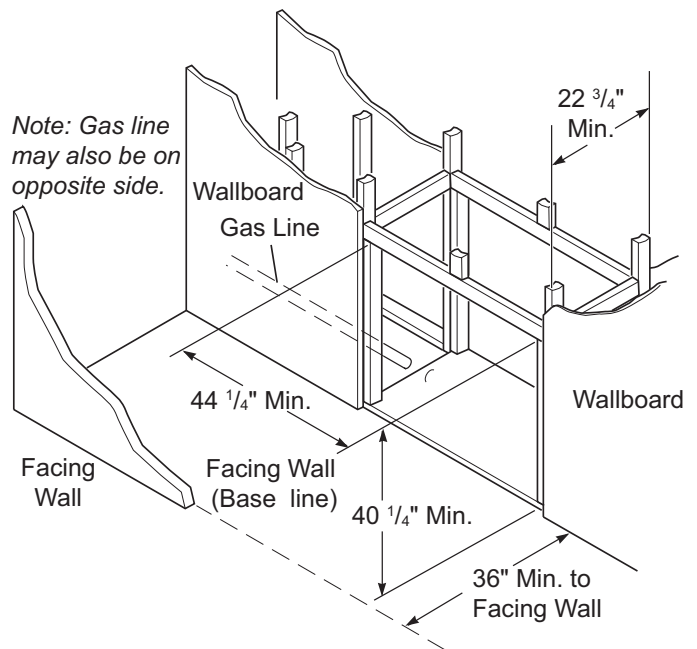
1. Frame in rough opening. The firebox framing should be constructed of 2 x 4 lumber or heavier. Construct framing using dimensions shown in Figure 8 and 9, page 10. It is recommended that the framing be constructed first and the unit be placed in position by removing the nailing flanges from one side. After sliding the unit into place, the outer most flanges may be replaced and nailed to the framing on all sides before applying the wallboard to the exterior framing.
2. If the vent-free firebox is to be installed directly on carpeting, tile (other than ceramic) or any combustible material other than wood flooring; the vent-free firebox must be installed upon a metal or wood panel extending the full width and depth of the vent-free firebox.

3. If a raised platform is to be constructed, ceiling clearances must be maintained.
4. Install gas piping to firebox location. See [Installing Gas Line and Connecting to Gas Supply](#) in log set owner's manual.

**IMPORTANT:** If installing blower accessory. See [Hard-Wiring Firebox](#), page 12.

5. Carefully set firebox in front of rough opening. **IMPORTANT:** If installing brass trim kit, see instructions included with brass trim accessory. You must install shoulder screws from brass trim kit now.
6. Carefully insert firebox into rough opening.
7. Attach firebox to wall studs using nails or wood screws through holes in nailing flange (see Figure 10, page 10).

**IMPORTANT:** When finishing your firebox, combustible materials such as wall board, gypsum board, sheet rock, drywall, plywood, etc. may be butted up next to the sides and top of the firebox. Combustible materials should never overlap the firebox front facing.



**Figure 8 - Framing for Built-In Firebox Installation**

## INSTALLATION *Continued*

**⚠ WARNING:** Do not allow any combustible materials to overlap the firebox front facing (see Figure 9).

**IMPORTANT:** Noncombustible materials such as brick, tile, etc. may overlap the front facing, but should never cover any necessary openings like louvered slots.

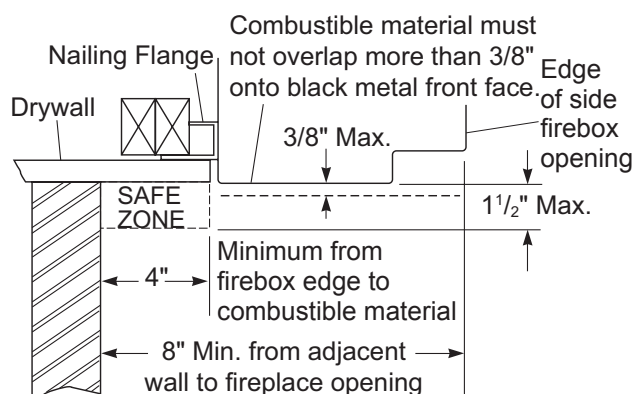
**⚠ WARNING:** Never modify or cover the louvered slots on the front of the firebox.

**⚠ WARNING:** Use only noncombustible mortar or adhesives when overlapping the front facing with noncombustible facing material.

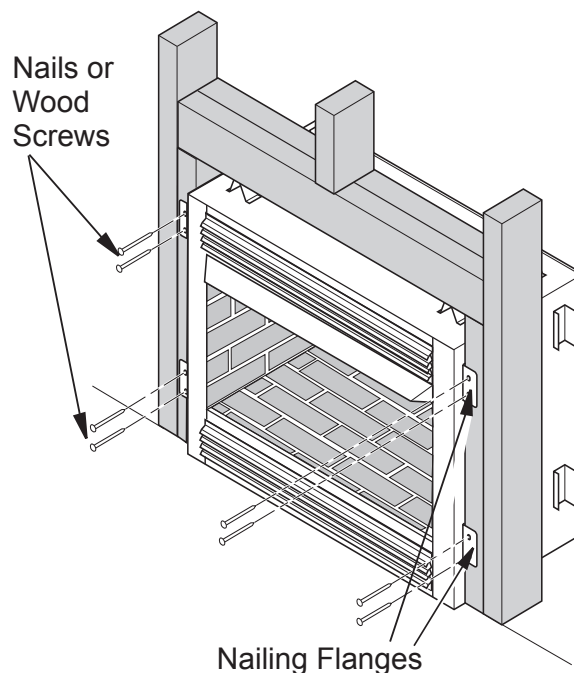
**⚠ WARNING:** Do not fill the spaces around the firebox with insulation or other materials.

**⚠ WARNING:** Framing may be placed or rest against fireplace spacer, however; framing must never be notched.

**⚠ WARNING:** Do not alter, cut or modify fireplace spacers.



**Figure 9 - Framing for Built-In Firebox Installation, Top View**



**Figure 10 - Attaching Firebox to Wall Studs**

### INSTALLING GAS LINE

**⚠ WARNING:** A qualified service person must connect appliance to gas supply. Follow all local codes.

**IMPORTANT:** See Connecting to Gas Supply in your log set owner's manual for details on gas hookup.

You may run the gas line from either side of the firebox (see Figure 11, page 11). When you have determined how the gas line will run, locate one of the recessed knockouts in the firebrick floor (see Figure 12, page 11). Firmly tap the center of the knockout with a chisel until it is released. Carefully chisel the rough edges of the hole you have made to smooth edges. This hole will line up with the hole in the metal floor.

**⚠ CAUTION:** Do not use excessive force to remove the knockout. Too much force may damage the firebrick concrete insert.

A manual shutoff valve, complying with the National Fuel Gas code, ANS Z223.1/NFPA 54, must be included within 6' of the vent-free firebox gas supply system. It may be convenient to install the gas shutoff outside the vent-free firebox enclosure where it can be accessed with a key through a wall as shown in Figure 13, page 11. Depending on the type of installation, some local codes may require you to install 2 manual shutoff valves independently accessible from both rooms. Check your local codes for applicable installation requirements.

A 36" long 1/2" NPT SCHD 40 flexible gas connector line complying with the National Fuel Gas code ANS Z223.1/NFPA 54, may be run from the regulator to the incoming 1/2" NPT black iron gas line. You may also route the incoming 1/2" NPT black iron gas line directly to the appliance regulator.

## INSTALLATION *Continued*

The incoming gas line may be routed into the vent-free firebox either from the left or right hand sides (see Figure 11). Remove the gas line cover plate from the vent-free firebox's outer surround at the location to be used.

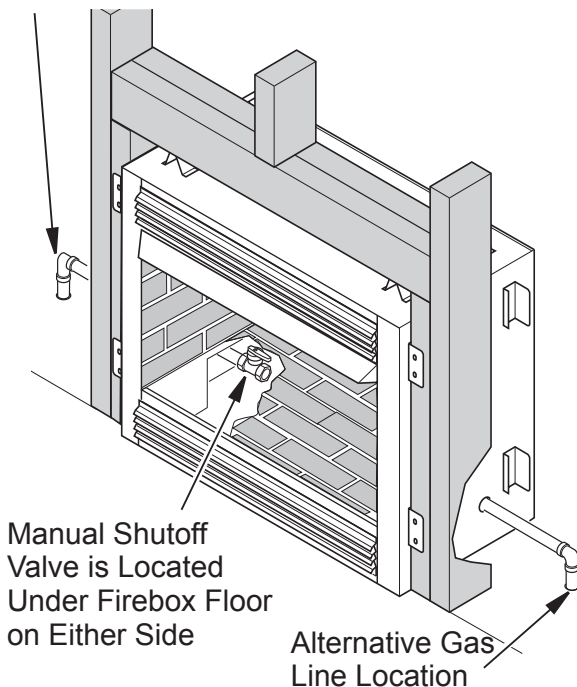
If a sediment trap is not incorporated as a part of the gas utilization equipment, one shall be installed as close to the inlet of the equipment as practical at the time of installation, as per ANS Z223.1/NFPA 54. See Figure 14.

Prepare incoming black iron gas line with Teflon tape or pipe joint compound (check with local codes as to the use of Teflon tape). Compounds used on threaded joints of gas piping shall be resistant to the action of propane/LP and should be applied lightly to ensure excess sealant does not enter the gas line.

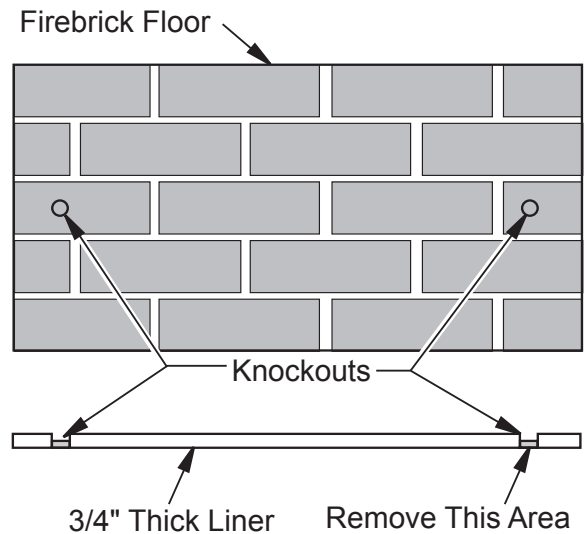
Complete your gas installation by connecting the incoming gas line to the appliance regulator. Secure all joints tightly with wrench but do not overtighten. If a flexible gas line is used, take care not to kink the connector.

**⚠ WARNING: All gas piping and connections must be tested for leaks after the installation is completed. After ensuring that the manual shutoff gas valve is open, apply a soap and water solution to all connections and joints. If bubbles appear, leaks can be detected and corrected. DO NOT USE OPEN FLAME FOR LEAK TESTING AND DO NOT OPERATE ANY APPLIANCE IF A LEAK IS DETECTED.**

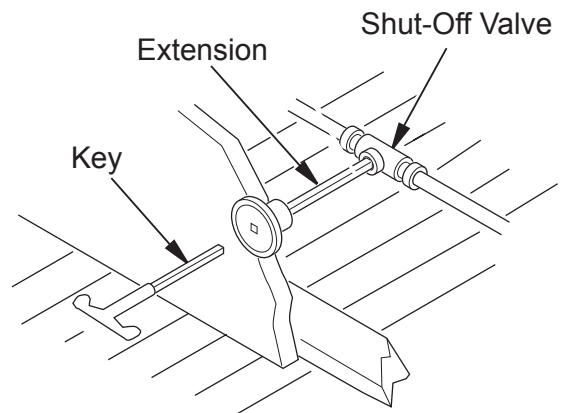
Gas Line Installed Through Access Hole on One Side of Firebox



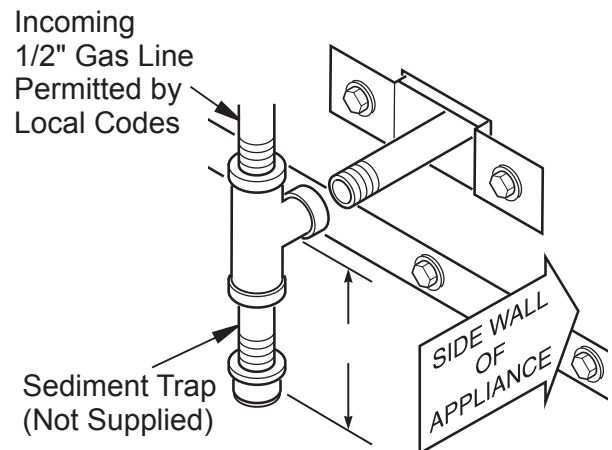
**Figure 11 - Installing Gas Line and Manual Shutoff Valve**



**Figure 12 - Location of Knockouts for Gas Line**



**Figure 13 - Typical Exterior Wall Gas Shut Off Installation**



**Figure 14 - Sediment Trap Installation**

## INSTALLATION *Continued*

### GAS SUPPLY TESTING

**Note:** This section is intended as a guide for qualified technicians installing gas to this vent-free firebox.

**CAUTION:** Do not connect vent-free appliance before pressure testing gas piping. Damage to gas valve may result and an unsafe condition may be caused.

The appliance and its' individual shutoff valve must be disconnected from the gas supply piping system during any pressure testing of that system at test pressures in excess of 1/2 psig (3.5 kPa).

The appliance must be isolated from the gas supply piping system by closing manual shutoff valve during any pressure testing of the gas supply piping system at test pressures equal to or less than 1/2 psig (3.5 kPa).

### HARD-WIRING FIREBOX

This model only can be hard-wired to the duplex outlet located inside the firebox bottom if desired. This allows the blower accessory to be plugged into the duplex outlet.

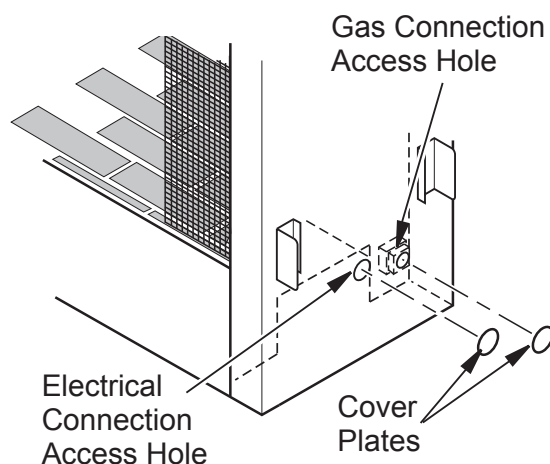
**NOTICE:** A qualified electrician must connect electrical wiring to duplex outlet for built-in installation. Follow all local codes. In absence of local codes follow The National Electric Code ANS/NFPA 70.

### ELECTRICAL INSTALLATION

A blower system assembly is available for use with the vent-free firebox as an optional accessory. This blower is designed to be installed on either side of the firebox, when provisions for a 120 VAC supply connection are made at either end of the cabinet. Use of a blower system other than those manufactured by IHP voids the warranty.

Electrical connections are made within the receptacle with wires that are routed through the bushing provided (see Figure 15). The receptacle may be relocated to either side, when necessary. However, the cover plate must be replaced over the unused access point. Be certain to properly ground the vent-free firebox using the green grounding wire (see Figure 17 on page 13).

**Note:** A 120V supply connection to the leads to the receptacle must be provided for use with the optional blower kit whether installed during or after initial firebox installation. You may not be able to install a supply connection after the final installation is completed. Refer to Optional Blower Assembly Installation for specifics.



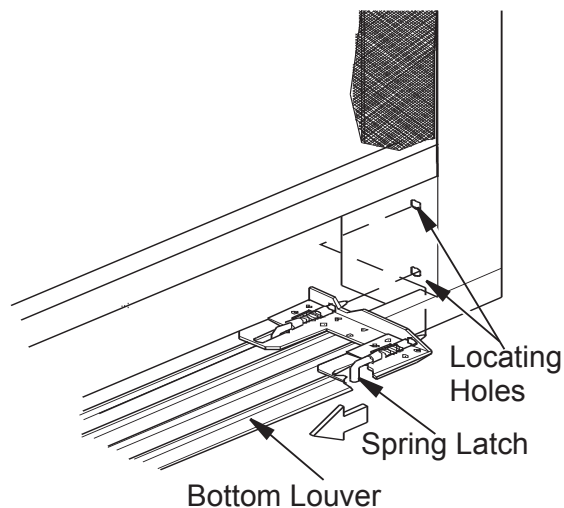
**Figure 15 - Locating Electrical Connection and Gas Connection on Either Side of Fireplace**

### OPTIONAL BLOWER ASSEMBLY INSTALLATION

Proper installation of the blower system is required to insure that the maximum discharge of air can be delivered through the louvers on each side of the fireplace.

**Note:** You may perform this installation from either side of the fireplace within either room. The lower door panels are removable from both sides of the firebox for better access.

1. Remove blower assembly from packaging and inspect fan and wiring for damage. If any wiring is loose or damaged, return assembly for exchange to your dealer or distributor.
2. Remove bottom louver by pulling both spring latches (located in each end of louver) toward center of appliance at the same time until disengaged from locating holes in firebox (see Figure 16).
3. Locate 2 strips of hook and loop mounting strips on one side of base of lower compartment. Align mounting strips on blower with mounting strips on base of firebox.
4. Install blower housing with exhaust outlet ports directed upwards along inner side wall of lower compartment. The blower outlets must be installed flush to the outer cabinet for air to flow properly.



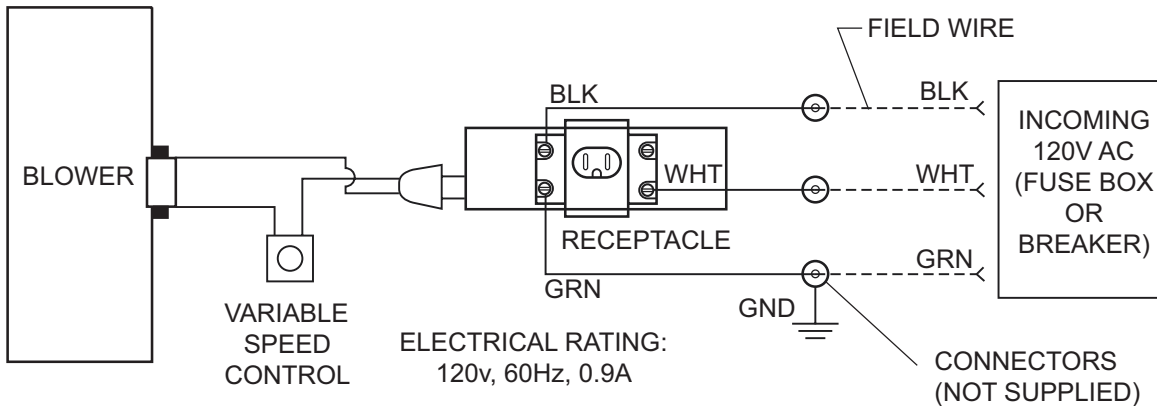
**Figure 16 - Removing Bottom Louver**

## INSTALLATION *Continued*

- Apply gentle force between hook and loop mounting strips to seat blower.
- Remove control knob and lock nut from blower speed control shaft.
- Place speed control shaft through 3/8" hole provided in right side of lower door panel removed in step 2.
- While supporting speed control housing, secure shaft in panel hole with lock nut. Place control knob on shaft.
- Plug blower power cord into receptacle located in lower firebox compartment. Check to make sure there are no foreign objects in blower wheel.

**⚠ WARNING: Never touch blower wheel while in operation.**

- Turn blower on and check for proper operation.
- Turn blower off before continuing.
- Replace lower door panel by inserting tabs on bottom of panel into locating slots on firebox. Push door panel into an upright position and secure with screws removed in step 2.



*Note:* If any of the original wire must be replaced, it must be replaced with type TEW minimum 16GA copper wire rated at 105°C

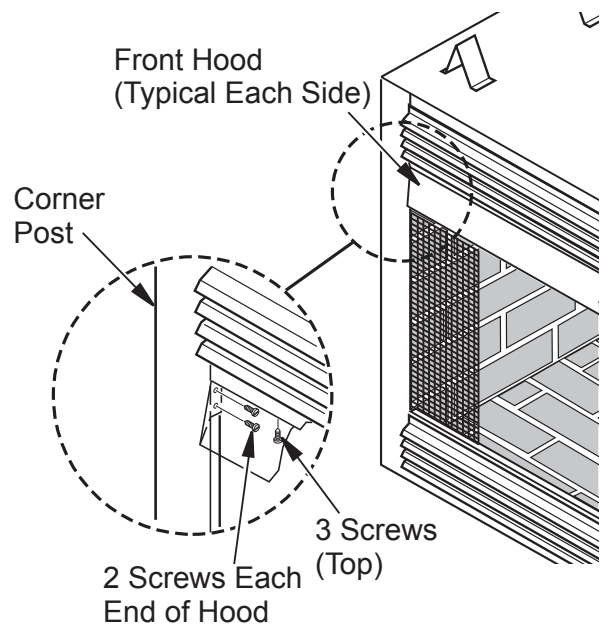
**Figure 17 - Optional Blower Wiring Diagram**

## HEAT DEFLECTIVE HOOD INSTALLATION

The factory supplied heat deflective hoods must be installed inside the fireplace opening on both sides for the safe operation of the unit as shown in Figure 18.

- Remove protective covering from hoods.
- Position deflective hood into opening on one side of the firebox and secure to the top of the opening using screws provided.
- Secure the ends of the hood to the firebox using two screws (provided) for each side.
- Repeat steps 2 and 3 to install hood on the opposite side of the firebox.

**⚠ CAUTION: Do not clean hood with abrasive cleanser. Use only regular household cleaners and a smooth cloth.**



**Figure 18 - Typical Hood Installation (Both Sides)**



## OPERATING GUIDELINES AND MAINTENANCE INSTRUCTIONS

When lit for the first time, a vent-free log appliance will emit a slight odor for about an hour or two. This is a normal occurrence which is due to the “curing” of the logs and the “burn-in” of internal paints and lubricants used in the manufacturing process.

Keep control compartments, logs, burners and areas surrounding the logs clean by vacuuming or brushing at least twice a year. Temporary removal of the log set may ease the cleaning of the burner and pilot assembly. In cleaning, take care not to alter the settings on the pilot assembly. See the operating instructions supplied with your vent-free log appliance for additional cleaning instructions.

**⚠ WARNING: Logs can be very hot! Allow logs to cool before handling.**

**IMPORTANT:** Turn off the gas supply at the external shutoff valve before servicing appliance. Any safety screen or guard removed for servicing must be replaced prior to operating the appliance.

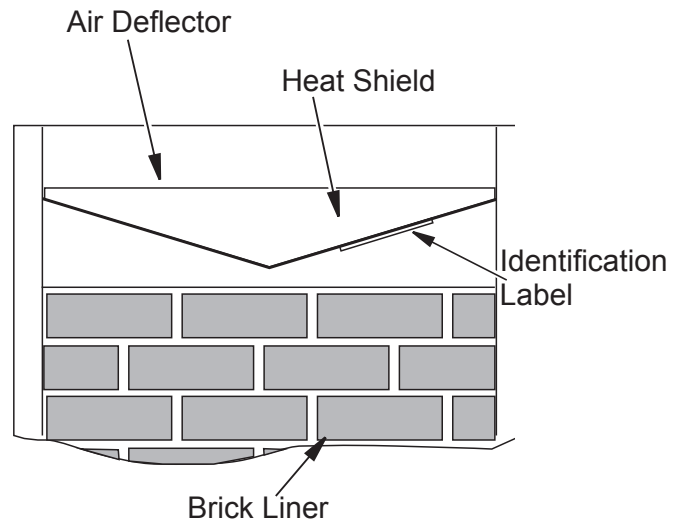
Installation and repair should be done by a qualified person. The appliance should be inspected before use and at least annually by a professional service person. More frequent cleaning may be required

due to excessive lint from carpeting, pet hair, etc. It is imperative that the control compartments, burners and circulating air passageways of the appliance be kept clean.

**⚠ WARNING: Children and adults should be alerted to the hazards of high surface temperatures and to stay away to avoid burns or clothing ignition. Young children should be carefully supervised when they are in the same room as the appliance.**

For lighting and operating this vent-free firebox, please refer to the vent-free gas logs manufacturer’s instruction manual.

**Note:** The firebox identification label (including model number, serial number, clearances, etc.) is located underneath the heat shield. See Figure 19.



**Figure 19 - Location of Firebox Identification Label**



## SERVICE HINTS

When Gas Pressure Is Too Low

- pilot will not stay lit
- burner will have delayed ignition
- fireplace will not produce specified heat
- for propane/LP unit, propane/LP gas supply may be low

You may feel your gas pressure is too low. If so, contact your local gas supplier.

## TECHNICAL SERVICE

You may have further questions about installation, operation, or troubleshooting. Please contact your IHP dealer for any questions or concerns. When contacting your dealer please have your model and serial numbers of your fireplace ready. You can also visit our web site at [Comfortflame.US.com](http://Comfortflame.US.com).

## REPLACEMENT PARTS

See Pages 16 to 17 for a complete replacement parts list. Use only parts supplied from the manufacturer.

Normally, all parts should be ordered through your IHP distributor or dealer. Parts will be shipped at prevailing prices at time of order.

When ordering repair parts, always give the following information:

1. The model number of the fireplace.
2. The serial number of the fireplace.
3. The part number.
4. The description of the part.
5. The quantity required.
6. The installation date of the fireplace.

If you encounter any problems or have any questions concerning the installation or application of this fireplace, please contact your dealer.

### IHP

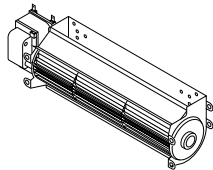
1508 Elm Hill Pike, Suite 108

Nashville, TN 37210

Visit us at [Comfortflame.US.com](http://Comfortflame.US.com)

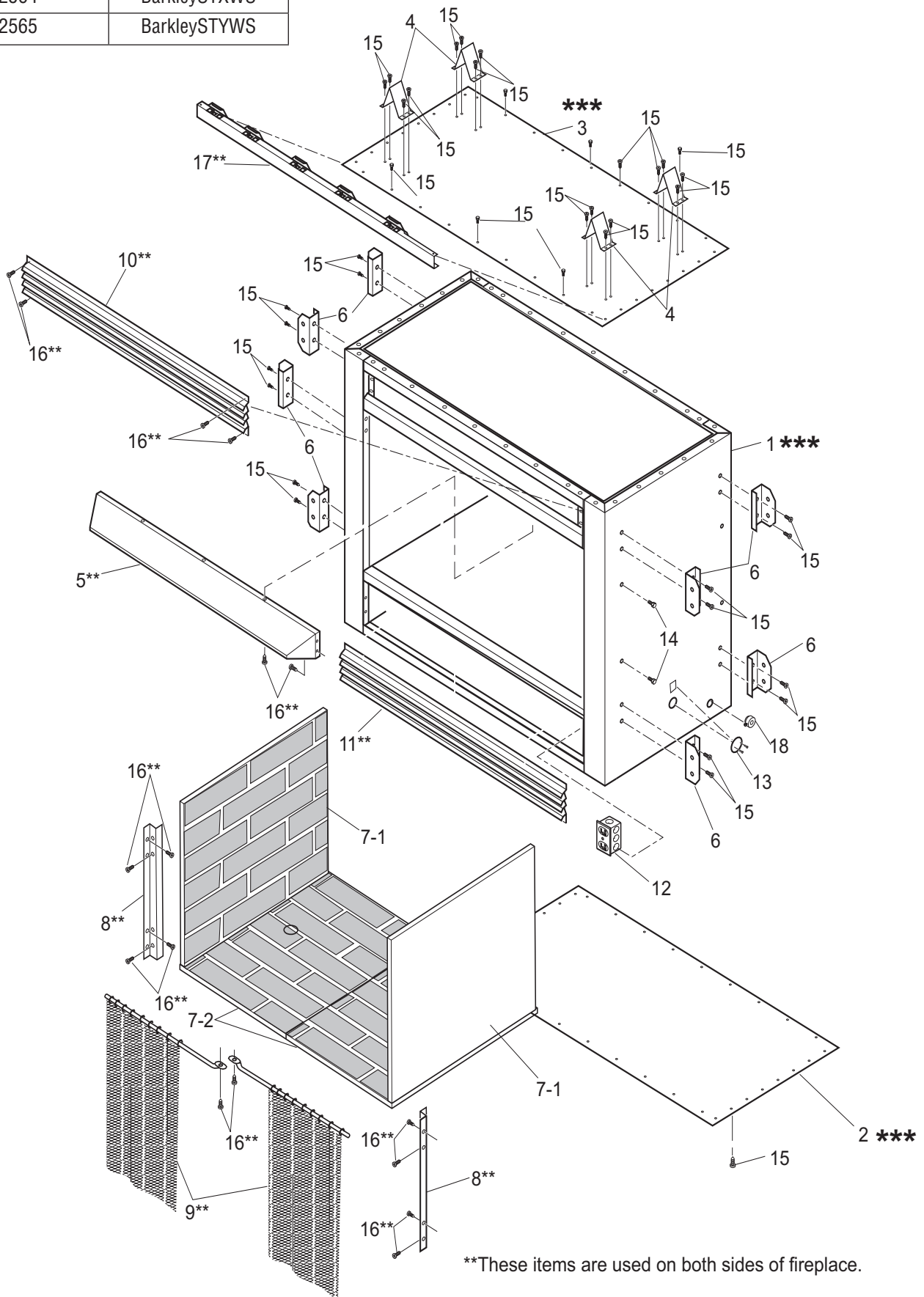
## ACCESSORIES

Purchase these accessories from your local dealer. If they can not supply these accessories, contact IHP at [Comfortflame.US.com](http://Comfortflame.US.com) for information.

MANUAL-CONTROLLED BLOWER KIT			
F1086	GA3750A	Manual Fan, Variable Speed	

# PARTS

CATALOG NO.	MODEL
F2564	BarkleySTXWS
F2565	BarkleySTYWS



## PARTS

This list contains replaceable parts used in your firebox. When ordering parts, follow the instructions listed under [Replacement Parts](#) on page 15 of this manual.

**⚠ WARNING: Contact an IHP dealer to obtain any of these parts. Never use substitute materials not approved by IHP. Use of non-approved parts can result in poor performance and safety hazards.**

KEY NO.	CATALOG NO.	DESCRIPTION	BarkleySTXWS	BarkleySTYWS	QTY.
			F2564	F2565	
1	***	Firebox Assembly	•	•	1
2	***	Firebox Bottom	•	•	1
3	***	Firebox Top	•	•	1
4	J7013	Top Spacer	•	•	4
5	J7109	Deflector Hood	•	•	2
6	J7111	Nailing Flange	•	•	8
7-1	J3537	Side Refractory Brick Liner	•	•	2
7-2	02014	Bottom Refractory Brick Liner	•	•	2
8	J7021	Side Refractory Retainer	•	•	4
9	J5691	Screen	•	•	4
10	J7104	Top Louver	•		2
11	J7105	Bottom Louver	•		2
12	J6835	Receptacle 15A DVP.	•		1
	J8145	Handy Box 1-7/8 Deep	•		1
	J8146	Cover Duplex receptacle	•		1
	J8147	Screw 6/32 x 3/8 PPH	•		1
13	J6934	Access Hole Cover	•	•	6
14	J3628	Shoulder Screws			14
15	J4666	Screw, #10 x 1/2, zinc PH	•	•	24
16	J4667	Screw, #10 x 5/8, zinc PH	•	•	46
17	J8148	Spacer Front/Back Drywall	•	•	2
18	J6802	Strain Relief	•		1

\*\*\* Not a field replaceable part.



# Innovative Hearth Products Comfort Flame™ Brand Gas Fireplace and Insert 20 Year Limited Warranty

## THE WARRANTY

Innovative Hearth Products ("IHP") 20 Year Limited Warranty warrants your Comfort Flame™ Brand gas fireplace or insert ("Product") to be free from defects in materials and workmanship at the time of manufacture. The Product body and firebox carry the 20 Year Limited Warranty. Ceramic glass carries the 20 Year Limited Warranty against thermal breakage only. After installation, if covered components manufactured by IHP are found to be defective in materials or workmanship during the 20 Year Limited Warranty period and while the Product remains at the site of the original installation, IHP will, at its option, repair or replace the covered components. If repair or replacement is not commercially practical, IHP will, at its option, refund the purchase price or wholesale price of the IHP product, whichever is applicable. IHP will also pay IHP prevailing labor rates, as determined in its sole discretion, incurred in repairing or replacing such components for up to five years. THERE ARE EXCLUSIONS AND LIMITATIONS to this 20 Year Limited Warranty as described herein.

## COVERAGE COMMENCEMENT DATE

Warranty coverage begins on the date of purchase. In the case of new home construction, warranty coverage begins on the date of first occupancy of the dwelling or six months after the sale of the Product by an independent IHP dealer/distributor, whichever occurs earlier. The warranty shall commence no later than 24 months following the date of product shipment from IHP, regardless of the installation or occupancy date.

## EXCLUSIONS AND LIMITATIONS

This 20 Year Limited Warranty applies only if the Product is installed in the United States or Canada and only if operated and maintained in accordance with the printed instructions accompanying the Product and in compliance with all applicable installation and building codes and good trade practices.

This warranty is non-transferable and extends to the original owner only. The Product must be purchased through a listed supplier of IHP and proof of purchase must be provided. The Product body and firebox carry the 20 Year Limited Warranty from the date of installation. Vent components, trim components and paint are excluded from this 20 Year Limited Warranty. The following do not carry the 20 Year Limited Warranty but are warranted as follows:

- Burner** – Repair or replacement for one year from the date of installation
- Gas components** – Repair or replacement for one year from the date of installation
- Gaskets** – Repair or replacement for one year from the date of installation
- Gold & nickel plating** – Replacement for two years from date of installation. Excludes tarnishing
- Logs** – Replacement for one year from the date of installation against thermal breakage only
- Optional blowers & remote controls** – Repair or replacement for one year from the date of installation
- Optional glass doors** – Repair or replacement for 90 days from the date of installation
- Tempered glass** – Replacement for one year from the date of installation
- Labor coverage** – Prevailing IHP labor rates apply for the warranty period of the component

**Parts not otherwise listed carry a 90 day warranty from the date of installation.**

**Whenever practicable, IHP will provide replacement parts, if available, for a period of 10 years from the last date of manufacture of the Product.**

IHP will not be responsible for: (a) damages caused by normal wear and tear, accident, riot, fire, flood or acts of God; (b) damages caused by abuse, negligence, misuse, or unauthorized alteration or repair of the Product affecting its stability or performance (The Product must be subjected to normal use. The Product is designed to burn either natural or propane gas only. Burning conventional fuels such as wood, coal or any other solid fuel will cause damage to the Product, will produce excessive temperatures and could result in a fire hazard.); (c) damages caused by failing to provide proper maintenance and service in accordance with the instructions provided with the Product; (d) damages, repairs or inefficiency resulting from faulty installation or application of the Product.

IHP is not responsible for inadequate fireplace system draft caused by air conditioning and heating systems, mechanical ventilation systems, or general construction conditions which may generate negative pressure in the room in which the appliance is installed. Additionally IHP assumes no responsibility for drafting conditions caused by venting configurations, adjoining trees or buildings, adverse wind conditions or unusual environmental factors and conditions that affect the operation of the unit.

This 20 Year Limited Warranty covers only parts and labor as provided herein. In no case shall IHP be responsible for materials, components or construction, which are not manufactured or supplied by IHP or for the labor necessary to install, repair or remove such materials, components or construction. Additional utility bills incurred due to any malfunction or defect in equipment are not covered by this warranty. All replacement or repair components will be shipped F.O.B. from the nearest stocking IHP factory.

## LIMITATION ON LIABILITY

It is expressly agreed and understood that IHP's sole obligation and the purchaser's exclusive remedy under this warranty, under any other warranty, expressed or implied, or in contract, tort or otherwise, shall be limited to replacement, repair, or refund, as specified herein.

In no event shall IHP be liable for any incidental or consequential damages caused by defects in the Product, whether such damage occurs or is discovered before or after repair or replacement, and whether such damage is caused by IHP's negligence. IHP has not made and does not make any representation or warranty of fitness for a particular use or purpose, and there is no implied condition of fitness for a particular use or purpose.

IHP makes no expressed warranties except as stated in this 20 Year Limited Warranty. The duration of any implied warranty is limited to the duration of this expressed warranty.

No one is authorized to change this 20 Year Limited Warranty or to create for IHP any other obligation or liability in connection with the Product. Some states and provinces do not allow the exclusion or limitation of incidental or consequential damages, so the above limitations or exclusions may not apply to you. The provisions of this 20 Year Limited Warranty are in addition to and not a modification of or subtraction from any statutory warranties and other rights and remedies provided by law.

## INVESTIGATION OF CLAIMS AGAINST WARRANTY

IHP reserves the right to investigate any and all claims against this 20 Year Limited Warranty and to decide, in its sole discretion, upon the method of settlement.

To receive the benefits and advantages described in this 20 Year Limited Warranty, the appliance must be installed and repaired by a licensed contractor approved by IHP.

Contact IHP at the address provided herein to obtain a listing of approved dealers/distributors. **IHP shall in no event be responsible for any warranty work done by a contractor that is not approved without first obtaining IHP's prior written consent.**

## HOW TO REGISTER A CLAIM AGAINST WARRANTY

In order for any claim under this warranty to be valid, you must contact the IHP dealer/distributor from which you purchased the product. If you cannot locate the dealer/distributor, then you must notify IHP in writing. IHP must be notified of the claimed defect in writing within 90 days of the date of failure. Notices should be directed to the IHP Warranty Department at 1508 Elm Hill Pike, Suite 108; Nashville, TN 37210 or visit our website at [WWW.COMFORTFLAME.US.COM](http://WWW.COMFORTFLAME.US.COM).

---

---

## WARRANTY

---

---

KEEP THIS WARRANTY

Model Number \_\_\_\_\_  
Serial Number \_\_\_\_\_  
Date Installed \_\_\_\_\_  
Dealer's Name \_\_\_\_\_  
Dealer's Phone Number \_\_\_\_\_  
Keep receipt for warranty verification

---

Innovative Hearth Products reserves the right to make changes at any time, without notice, in design, materials, specifications, prices and also to discontinue colors, styles and products. Consult your local distributor for fireplace code information.



P900564-00

