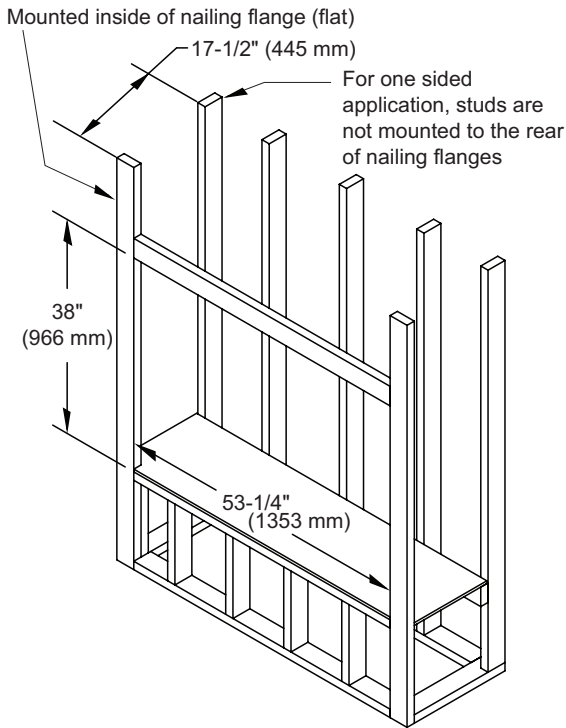


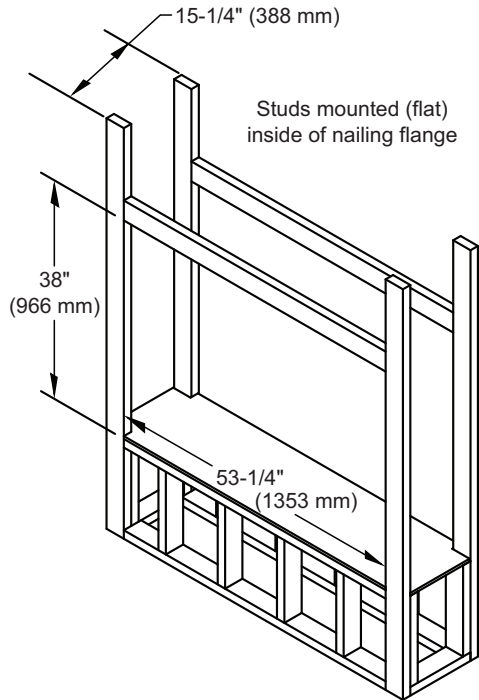
LEXINGTON LIGHTS™ SERIES

VENT-FREE FIREPLACES

Framing Dimensions

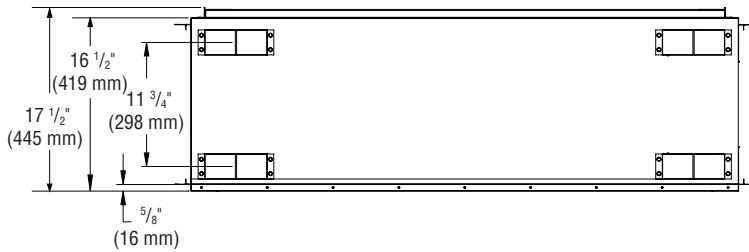


Framing Dimensions for One Sided Application

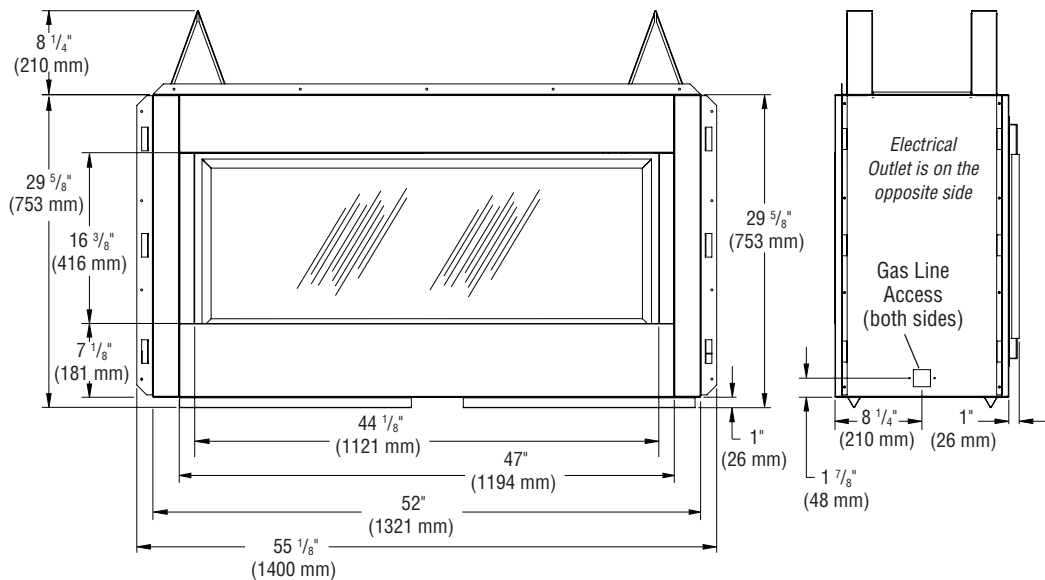


Framing Dimensions for See-Thru Application

Fireplace Dimensions



Diagrams, illustrations and photographs are not to scale. Consult installation instructions. Product designs, materials, dimensions, specifications, colors, and prices are subject to change or discontinuance without notice.



NOTE: DIAGRAMS & ILLUSTRATIONS ARE NOT TO SCALE.

LEXINGTON LIGHTS™ SERIES

Product Info

Cat. No.	Model	Weight	Cu. Ft.
F2508	LEXINGTONLIGHTS43ZEN	276 lb	24.5
F2509	LEXINGTONLIGHTS43ZEP	276 lb	24.5

Listing



Report No. F11-054

These appliances comply with National Safety Standards and are listed by PFS TECO to ANSI Z21.11.2 as unvented Gas-fired room heaters.

Clearances

Minimum clearances to combustibles for the fireplace are as follows:			
*Back and Sides	1"	26 mm	
Perpendicular Walls	8"	203 mm	
Floor (from bottom of fireplace)	0"	0 mm	
Ceiling (from top of opening)	42"	1067 mm	
Top of Standoffs	0"	0 mm	

*For back and sides of fireplace, do not pack with insulation or other materials.

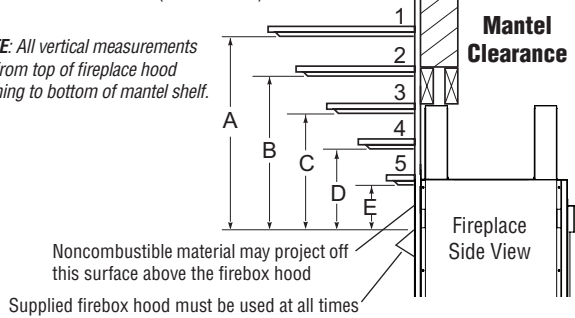
Hearth Extension

A hearth extension is not required with this fireplace. Any hearth extension used is for appearance only and does not have to conform to standard hearth extension installation requirements.

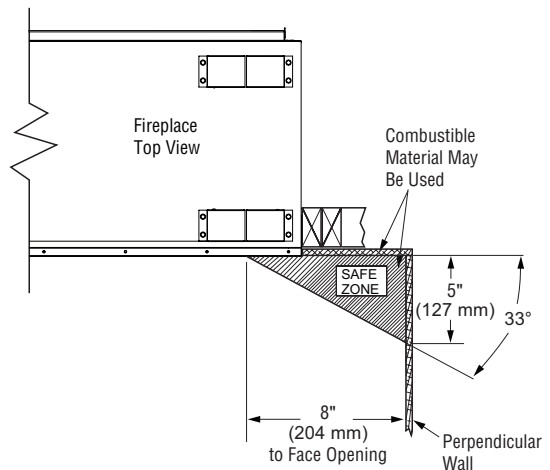
Ref.	Mantel Depth	Ref.	Mantel from Top of Opening
1.	12 (305)	A	24 (610)
2.	9 (229)	B	21 (554)
3.	6 (152)	C	18 (458)
4.	4 (102)	D	16 (407)
5.	2 (51)	E	14 (356)

Inches (millimeters)

NOTE: All vertical measurements are from top of fireplace hood opening to bottom of mantel shelf.

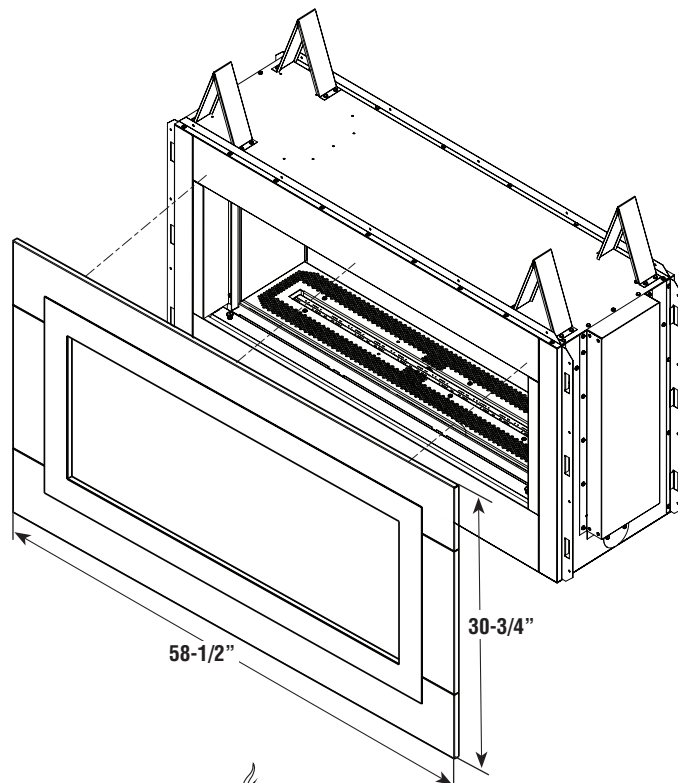


Side Wall Clearance



Facade Dimensions

Optional Facade Kits		
Cat. No.	Model	Description
F4216	DS-BLK-43	Decorative Surround - Black
F4217	DS-AS-43	Decorative Surround - Aged Silver
F4218	DS-AC-43	Decorative Surround - Aged Copper



Specifications and clearances are subject to change without notice. Refer to Installation Manual before installation of these appliances for updated dimensions and instructions.

NOTE: DIAGRAMS & ILLUSTRATIONS ARE NOT TO SCALE.

Printed in U.S.A. © 2016 Innovative Hearth Products
P/N 900628-02 REV. D 10/2019

Comfort Flame
WELCOME HOME TO WARMTH