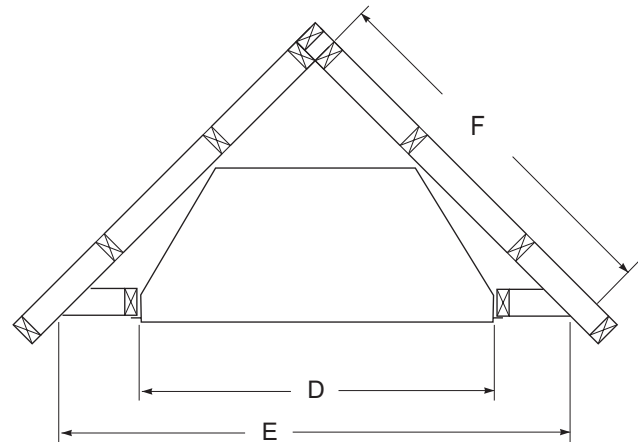
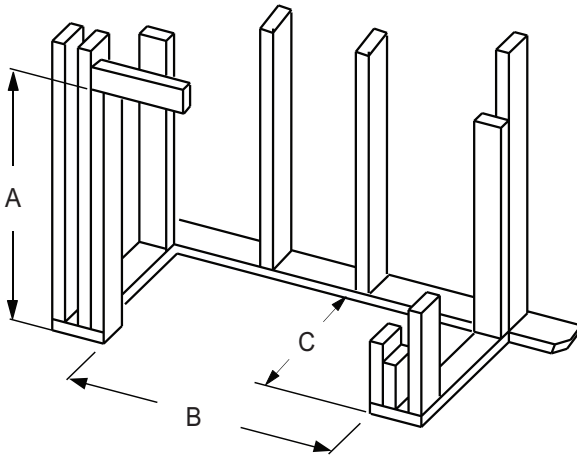


# SAVANNAH 36/42 SERIES

## OUTDOOR VENT-FREE GAS FIREPLACE

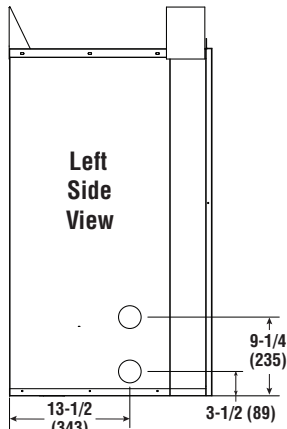
Framing Dimensions



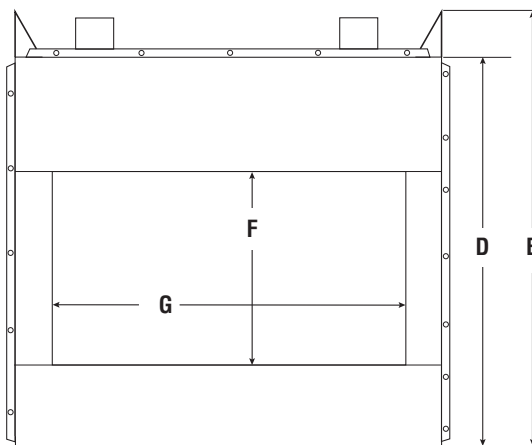
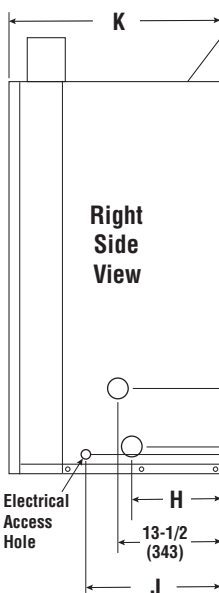
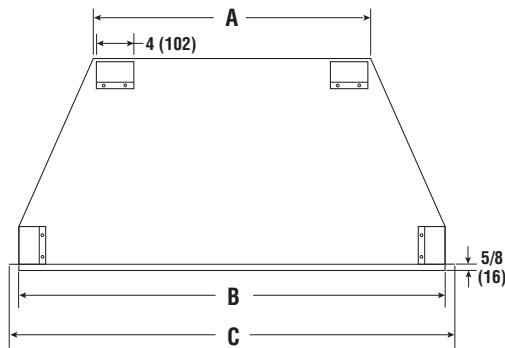
Models	A	B	C
36" Models	42-3/4" (1086 mm)	44" (1118 mm)	21" (534 mm)
42" Models	46-1/2" (1181 mm)	51" (1296 mm)	23" (585 mm)

Models	D	E	F
36" Models	44" (1118 mm)	74" (1880 mm)	52" (1321 mm)
42" Models	51" (1296 mm)	86" (2185 mm)	61" (1550 mm)

Fireplace Dimensions



Fireplace Top View



	36" Model	42" Model
A	29" (737 mm)	36" (915 mm)
B	41" (1042 mm)	48" (1220 mm)
C	43" (1093 mm)	50" (1270 mm)
D	37" (940 mm)	41" (1042 mm)
E	41" (1042 mm)	45" (1143 mm)
F	21" (534 mm)	24" (610 mm)
G	35" (889 mm)	42" (1067 mm)
H	10-1/2" (267 mm)	10-1/4" (261 mm)
J	14-1/2" (369 mm)	16-1/2" (419 mm)
K	21" (534 mm)	23" (584 mm)

*Diagrams, illustrations and photographs are not to scale. Consult installation instructions. Product designs, materials, dimensions, specifications, colors, and prices are subject to change or discontinuance without notice.*

NOTE: DIAGRAMS & ILLUSTRATIONS ARE NOT TO SCALE.

# SAVANNAH 36/42 SERIES

## OUTDOOR VENT-FREE GAS FIREPLACE

Product Information

Cat. No.	Model	Liner	Weight	Cu. Ft.
F2548	Savannah36ZMN	WS	237 lb.	23.4
F2549	Savannah36ZMP	WS	237 lb.	23.4

Cat. No.	Model	Liner	Weight	Cu. Ft.
F2550	Savannah42ZMN	WS	312 lb.	34.3
F2551	Savannah42ZMP	WS	312 lb.	34.3

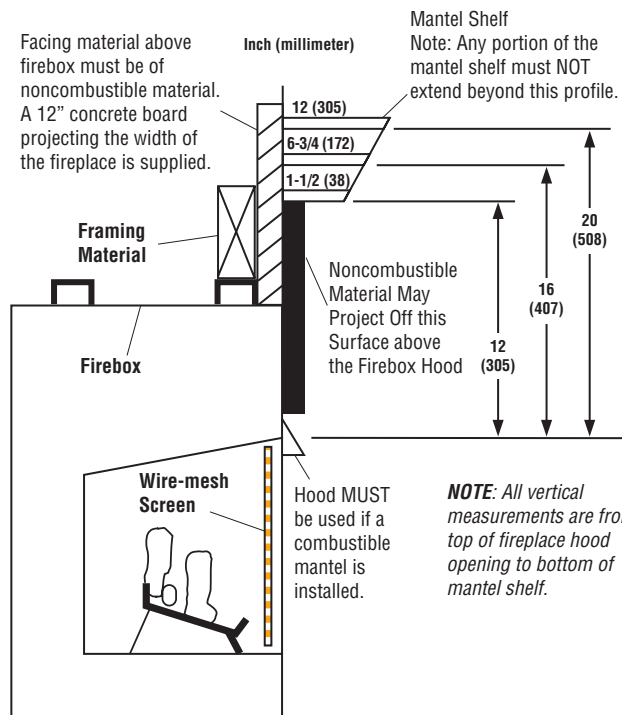
Listing Information



Report No. F09-026

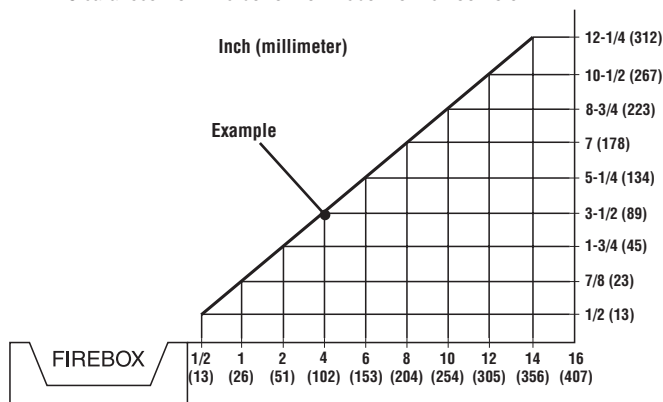
These appliances comply with National Safety Standards and are listed by PFS Corporation to ANSI Z21.11.2 as unvented Gas-fired room heaters.

Clearances

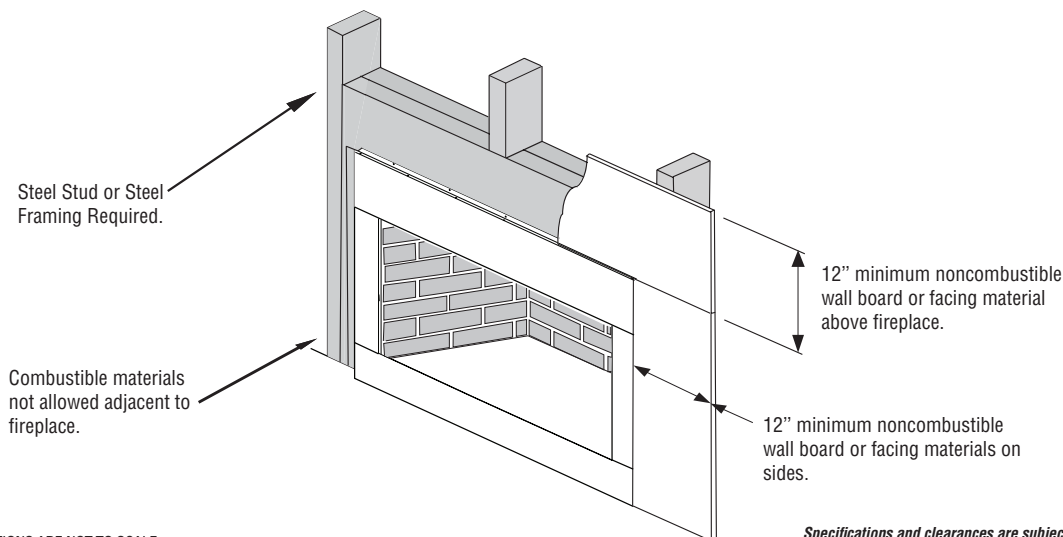


### Minimum Wall and Ceiling Clearances (see figure below)

- Clearances from the side of the fireplace cabinet to any combustible material and wall should follow diagram shown here.  
Example: The face of a mantel, bookshelf, etc. is made of combustible material and protrudes 3-1/2" from the wall. This combustible material must be 4" from the side of the fireplace cabinet.
- Clearances from the top of the firebox opening to the ceiling should not be less than 42".
- When the firebox is installed directly on carpeting, vinyl tile or other combustible material, other than wood flooring, the firebox should be installed on a metal or wood panel extending the full width and depth of the enclosure.
- Clearances from the bottom of firebox to the floor is 0".



Facing



NOTE: DIAGRAMS & ILLUSTRATIONS ARE NOT TO SCALE.

Printed in U.S.A. © 2016 Innovative Hearth Products  
P/N 900698-02 REV. NC 11/2016

Specifications and clearances are subject to change without notice. Refer to Installation Manual before installation of these appliances for updated dimensions and instructions.

Page 2 of 2